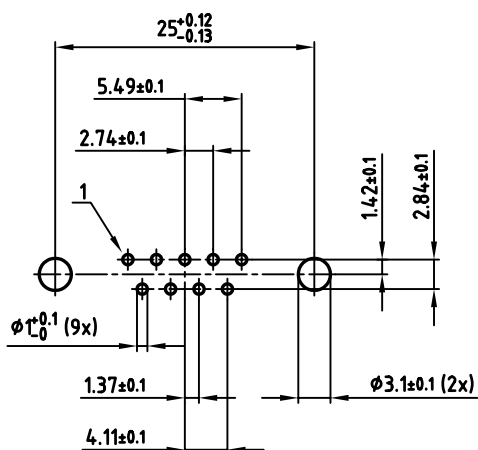
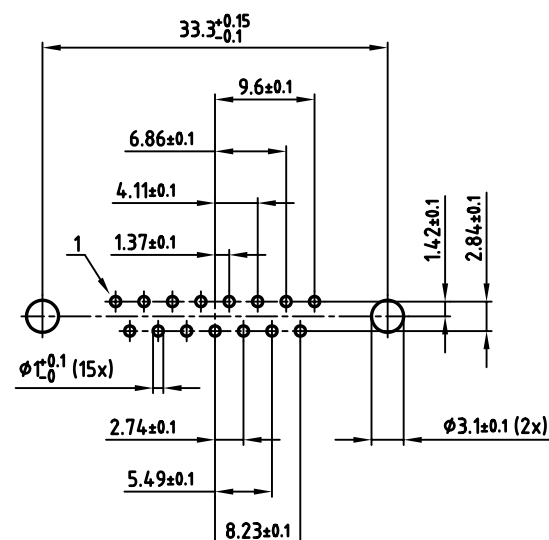




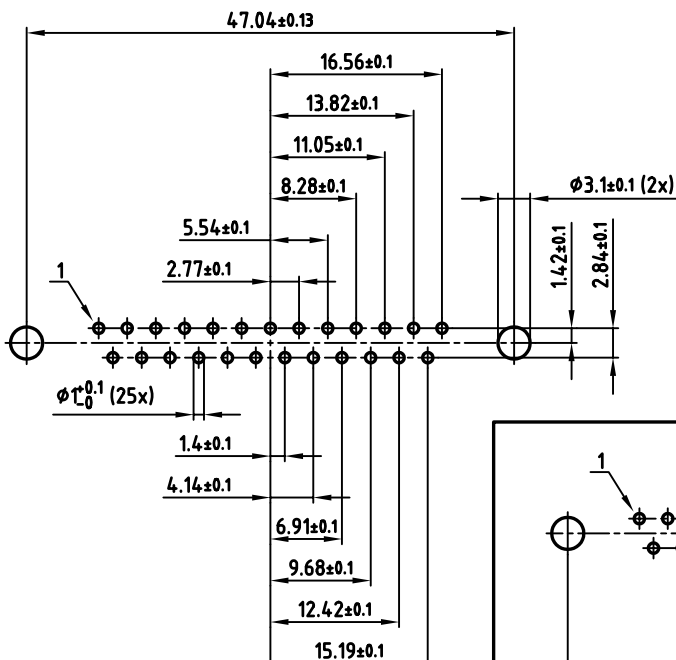
used for: D-SUB



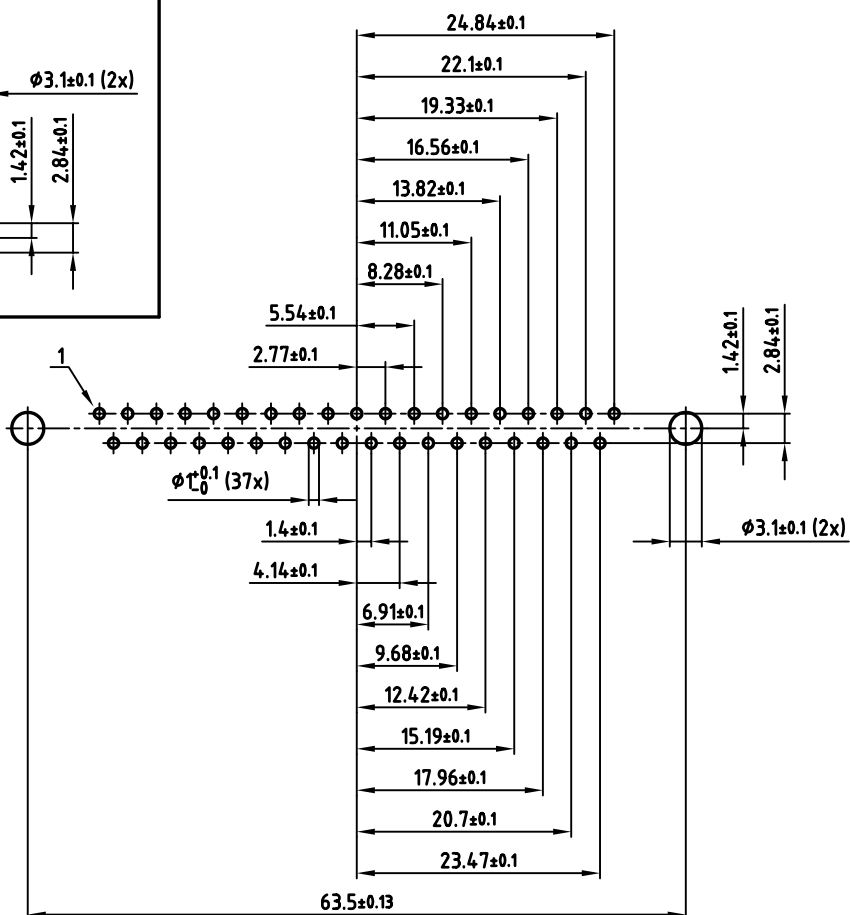
9 pos.



15 pos.



25 pos.



37 pos.

APPROVAL # FREIGABE # DEBLOCAGE # AUTORIZACION # APPROVAL

CUSTOMER APPROVAL DATE:

NAME: TITLE:

COMPANY NAME:

APPROVAL # FREIGABE # DEBLOCAGE # AUTORIZACION # APPROVAL

THIS DRAWING MAY NOT BE COPIED OR REPRODUCED IN ANY WAY, AND MAY NOT BE PASSED ON TO A THIRD PARTY, WITHOUT WRITTEN PERMISSION.

OWNERSHIP AND COPYRIGHT OF CONEC GmbH

DO NOT ALTER CAD DRAWING BY HAND

rev.	description	date	name
a	Origin		

tolerance		scale:	2:1
	dim. in mm	material:	SEE SHEET 1
2006	date	name	
drawn	13.03.	Lehmenkühler	
appd.	13.03.	Mickenbecker	
norm	DIN 41652		
d-old			

title:

**P.C.B. HOLE DRILLINGS**  
D-SUB MALE 9-37pos. SOLDER PIN STRAIGHT  
with threaded lock and spacer clip

dwg no: AutoCAD 2006 DIN-A

**16K1A1777** 3 sh:2/2

part no: SEE SHEET 1